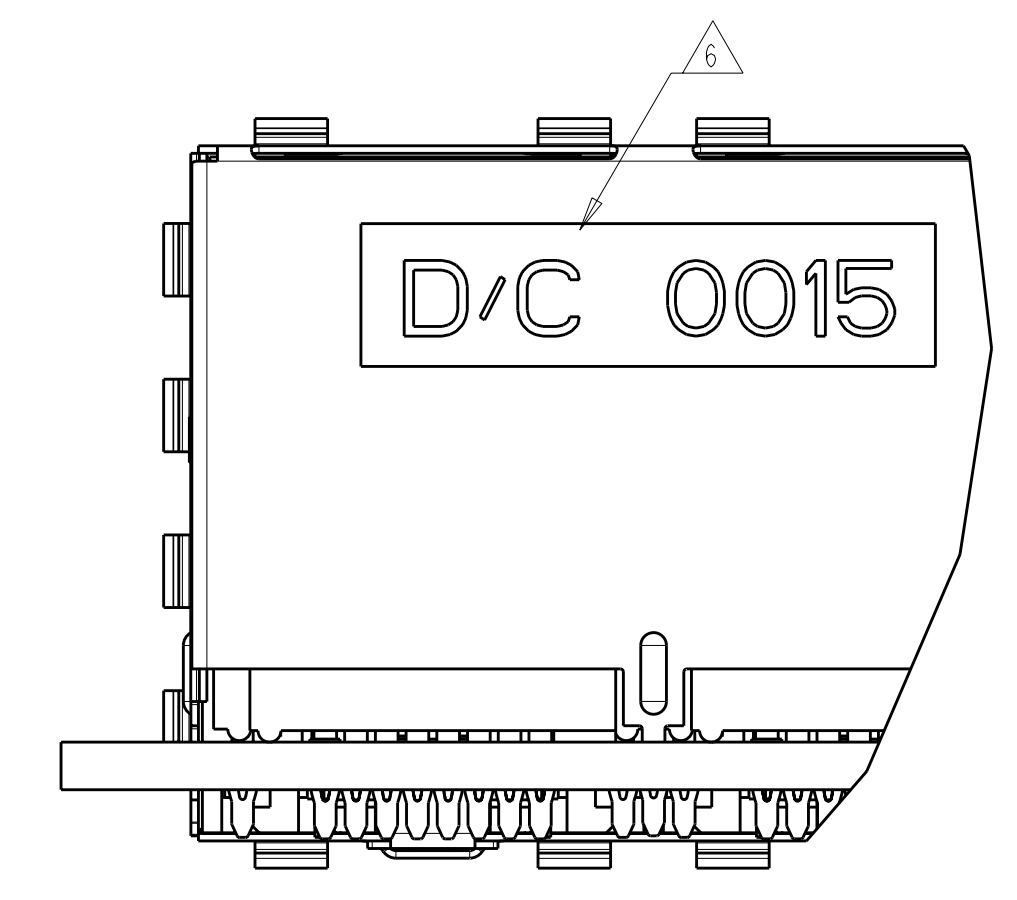
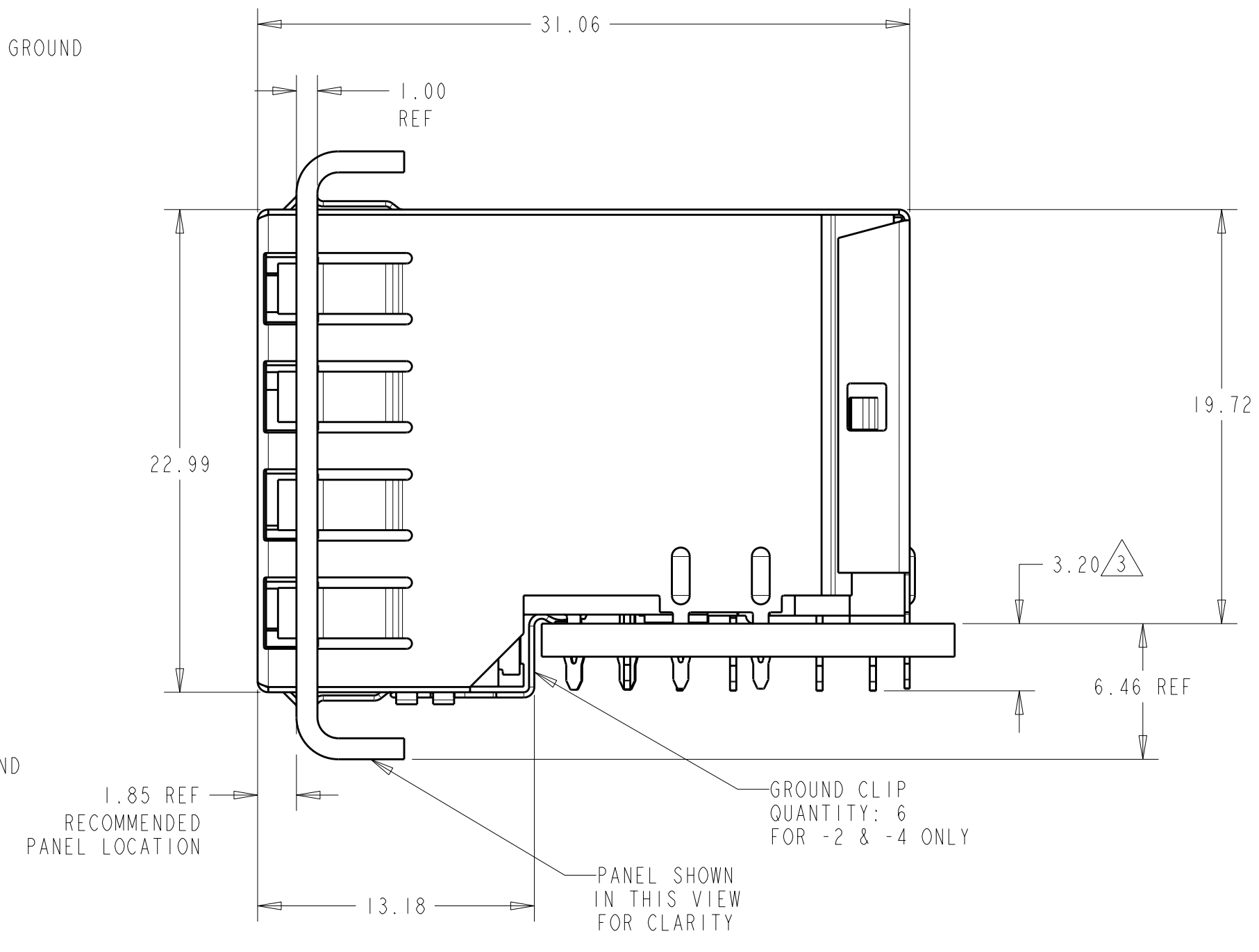
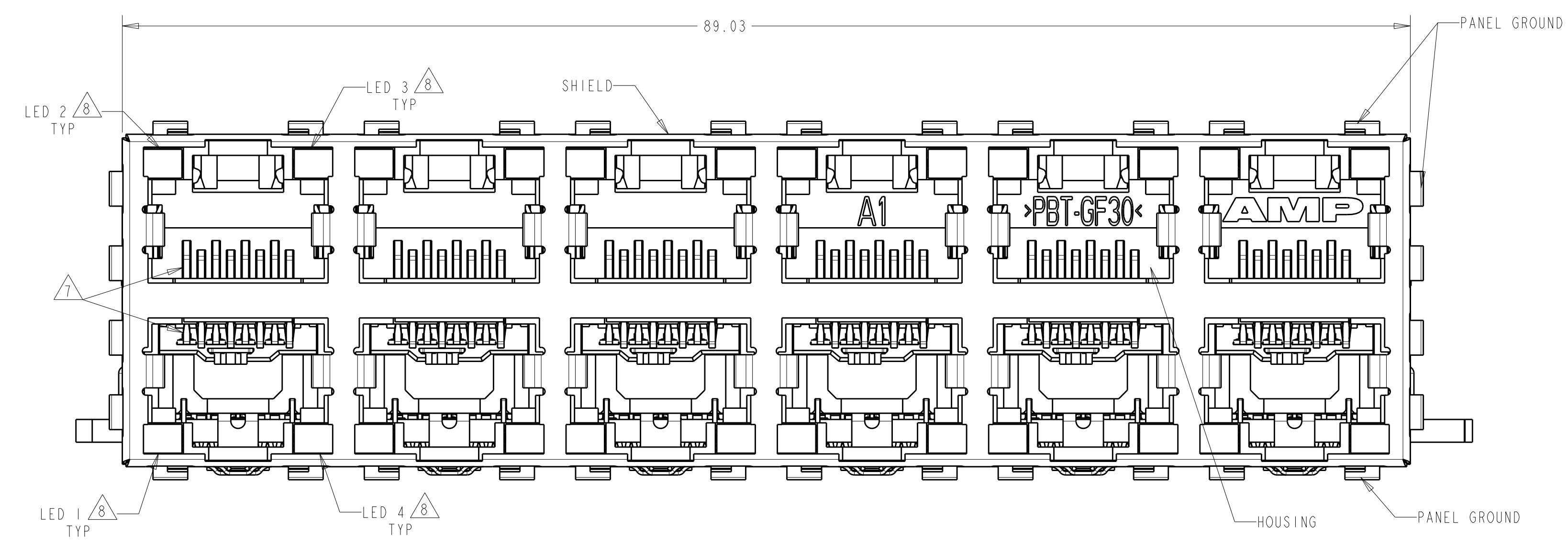
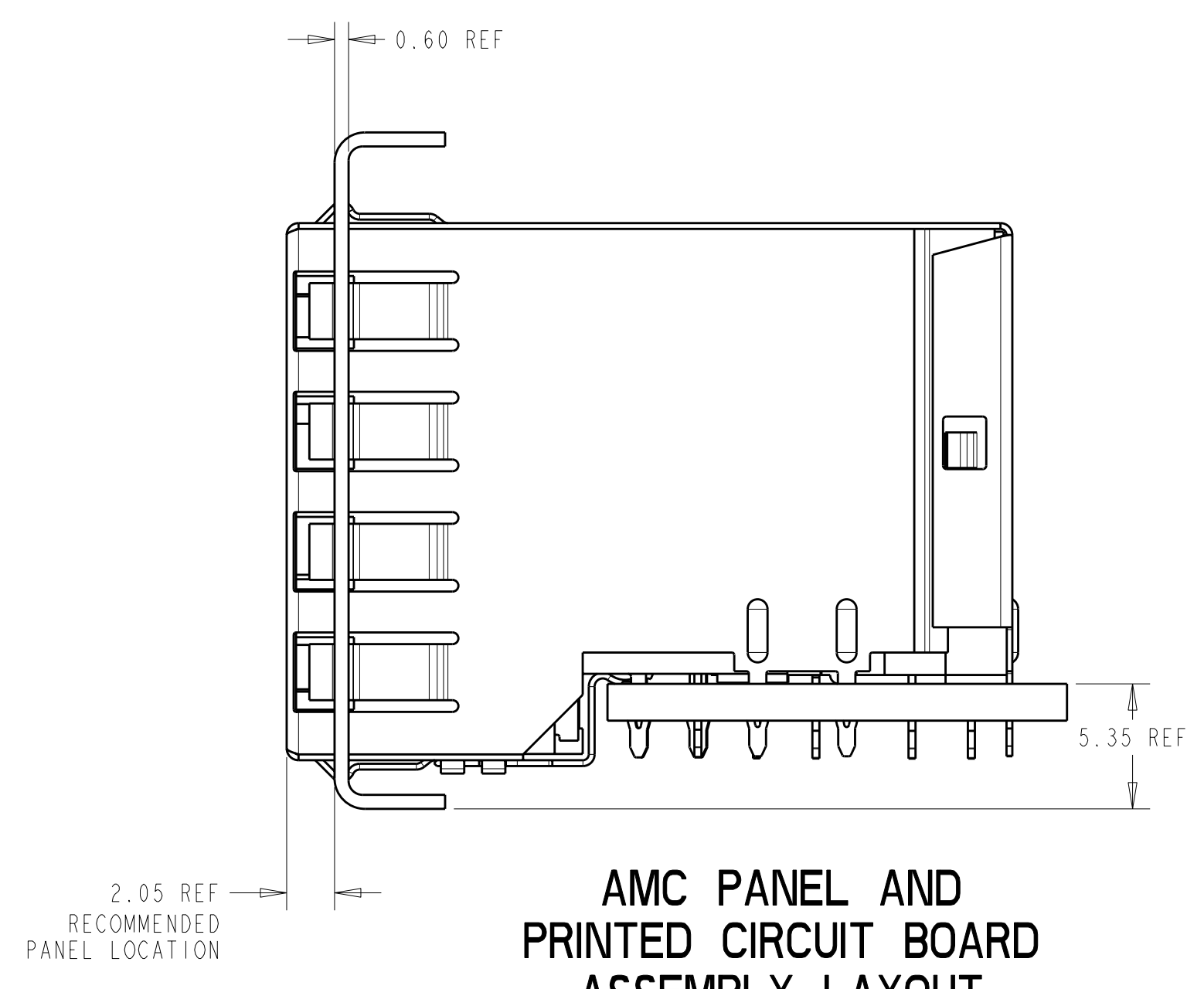


LOC	DIST	REVISIONS			
AA	00	REV	DATE	BY	APPD
		A	25JAN2006	LAM	JW
		B	28MAR2007	RG	JW
		B1	23MAY2008	DZ	SY
		B2	13AUG2008	AL	SY



**ATCA PANEL AND PRINTED CIRCUIT BOARD ASSEMBLY LAYOUT**

- MATERIAL:  
 HOUSING: PBT POLYESTER, BLACK, UL 94V-0  
 TERMINALS: 0.33 THICK PHOSPHOR BRONZE PLATED WITH 1.27µm MINIMUM THICK HARD GOLD IN LOCALIZED AREA AND 2.0µm MINIMUM THICK MATTE TIN IN COMPLIANT PIN TERMINAL AREA OVER 1.27µm MINIMUM THICK NICKEL UNDERPLATE  
 SHIELD: 0.25 THICK COPPER ALLOY PLATED WITH 2.03µm MINIMUM TIN OVER 1.27 µm MINIMUM NICKEL  
 GROUND CLIP: 0.25 THICK COPPER ALLOY PRE-PLATED WITH 2.03µm MINIMUM MATTE TIN OVER 1.27µm MINIMUM NICKEL  
 LIGHT EMITTING DIODE (LED): DIFFUSED EPOXY LENS, 12.95 CARBON STEEL WIREFRAME LEADS PREPLATED WITH 8.89µm THICK Sn/Cu OVER 2.03µm THICK Ag OVER 1.02µm THICK Cu OVER 3.56µm THICK Ni OVER 1.02µm THICK Cu UNDERPLATE  
 LED COMPLIANT PIN CONTACTS: 0.3 THICK BRASS PLATED WITH 2-4µm BRIGHT TIN.
- JACK CAVITY CONFORMS TO FCC RULES AND REGULATIONS, PART 68 SUBPART F.



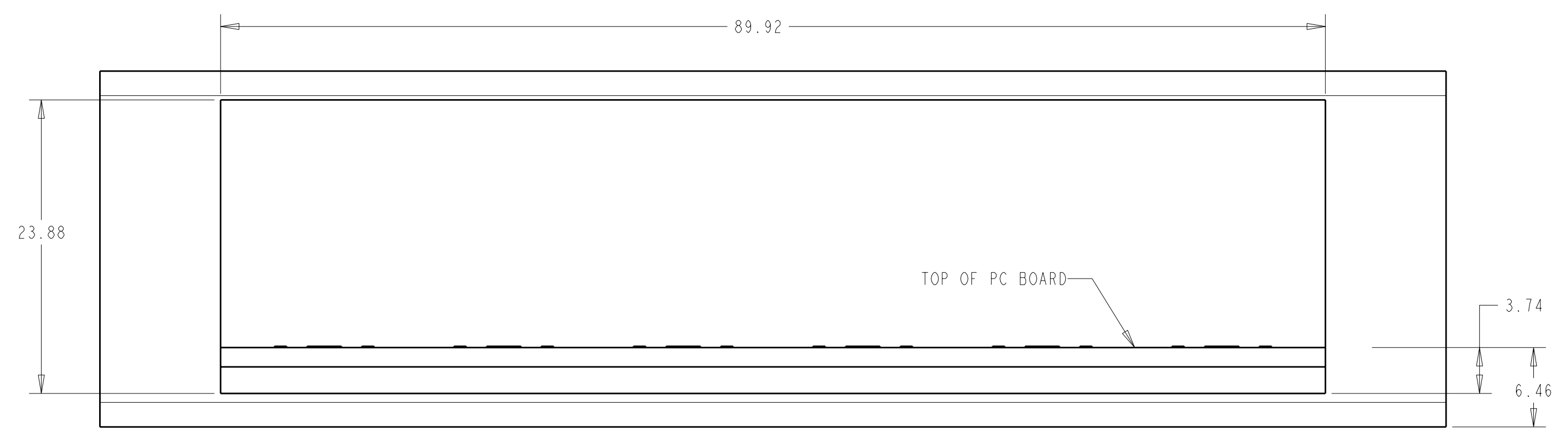
**AMC PANEL AND PRINTED CIRCUIT BOARD ASSEMBLY LAYOUT**

- MAXIMUM PIN LENGTH 3.40 FROM TOP SURFACE OF PC BOARD
- FINISHED PLATED THROUGH HOLE DIAMETER - ANNULAR RING DIAMETER 1.3 TO 1.5
- DATUMS AND BASIC DIMENSIONS ESTABLISHED BY CUSTOMER
- DATE CODE LOCATED ON REAR OF PART APPROXIMATELY AS SHOWN
- CONTACTS ARE NOT INTENDED TO BE ALIGNED WITH EACH OTHER
- SUGGESTED OPERATING CURRENT FOR LEDS IS 20mA
- NO PANEL GROUNDS.

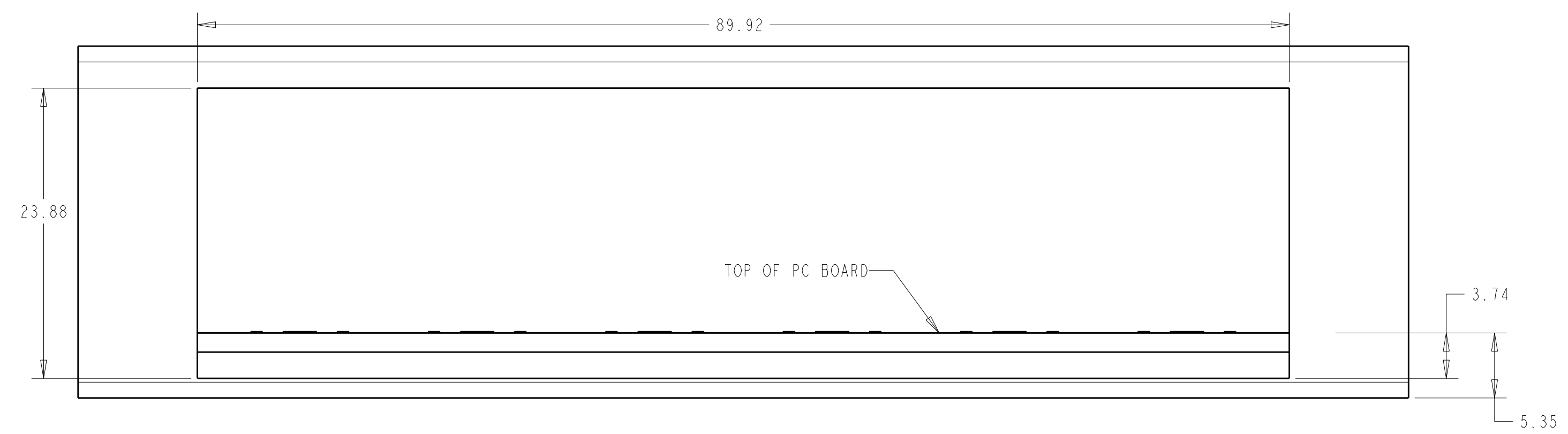
9	15.88	GREEN/YELLOW	GREEN/YELLOW	GREEN/YELLOW	GREEN/YELLOW	WITH GROUND CLIP	1888509-5
	15.88	GREEN/YELLOW	GREEN/YELLOW	GREEN/YELLOW	GREEN/YELLOW	WITH GROUND CLIP	1888509-4
	16.13	YELLOW	YELLOW	GREEN	GREEN	WITHOUT GROUND CLIP	1888509-3
	15.88	GREEN	GREEN	GREEN	GREEN	WITH GROUND CLIP	1888509-2
	16.13	GREEN	GREEN	GREEN	GREEN	WITHOUT GROUND CLIP	1888509-1
M DIM		LED #4 (LOWER-RIGHT)	LED #3 (UPPER-RIGHT)	LED #2 (UPPER-LEFT)	LED #1 (LOWER-LEFT)	DESCRIPTION	PART NUMBER

DIMENSIONS: mm		TOLERANCES UNLESS OTHERWISE SPECIFIED:		DWN: L.A.MAYER 28OCT2006		CHK: J.WESTMAN 28OCT2006		APVD: S.FLICKINGER 28OCT2006		NAME: STACKED MOD JACK ASSEMBLY, 2 X 6, 8 POSN, W/LEDS, RJ45, SHIELDED, PANEL GROUND, OFFSET, CAT 5	
9 PLC ±		3 PLC ±0.13		PRODUCT SPEC: 108-1854		APPLICATION SPEC: 114-2160		WEIGHT: -		SCALE: 3:1 SHEET 1 OF 2 REV: B2	
MATERIAL: SEE NOTE 1		FINISH: SEE NOTE 1		CUSTOMER DRAWING		SIZE: CAGE CODE: DRAWING NO: A1100779 C=1888509		RESTRICTED TO:		Tyco Electronics Corporation Harrisburg, PA 17105-3608	

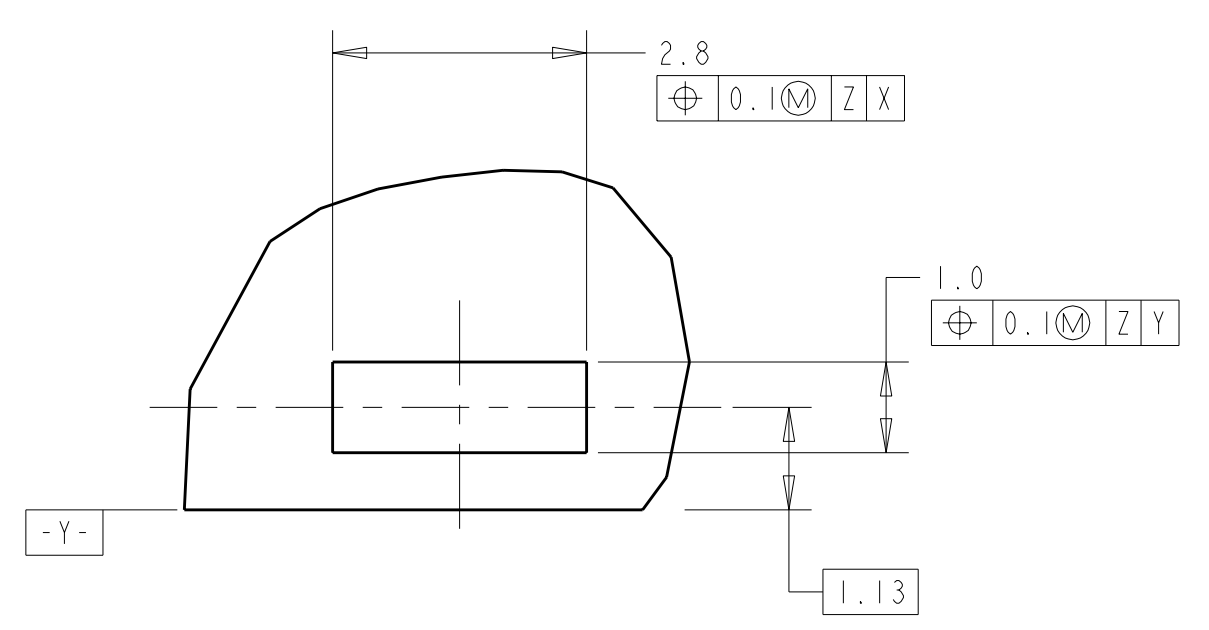
LOC	DIST	REV	DATE	BY	APPD
AA	00				
		REVISIONS			
		DESCRIPTION	DATE	BY	APPD
		SEE SHEET 1			



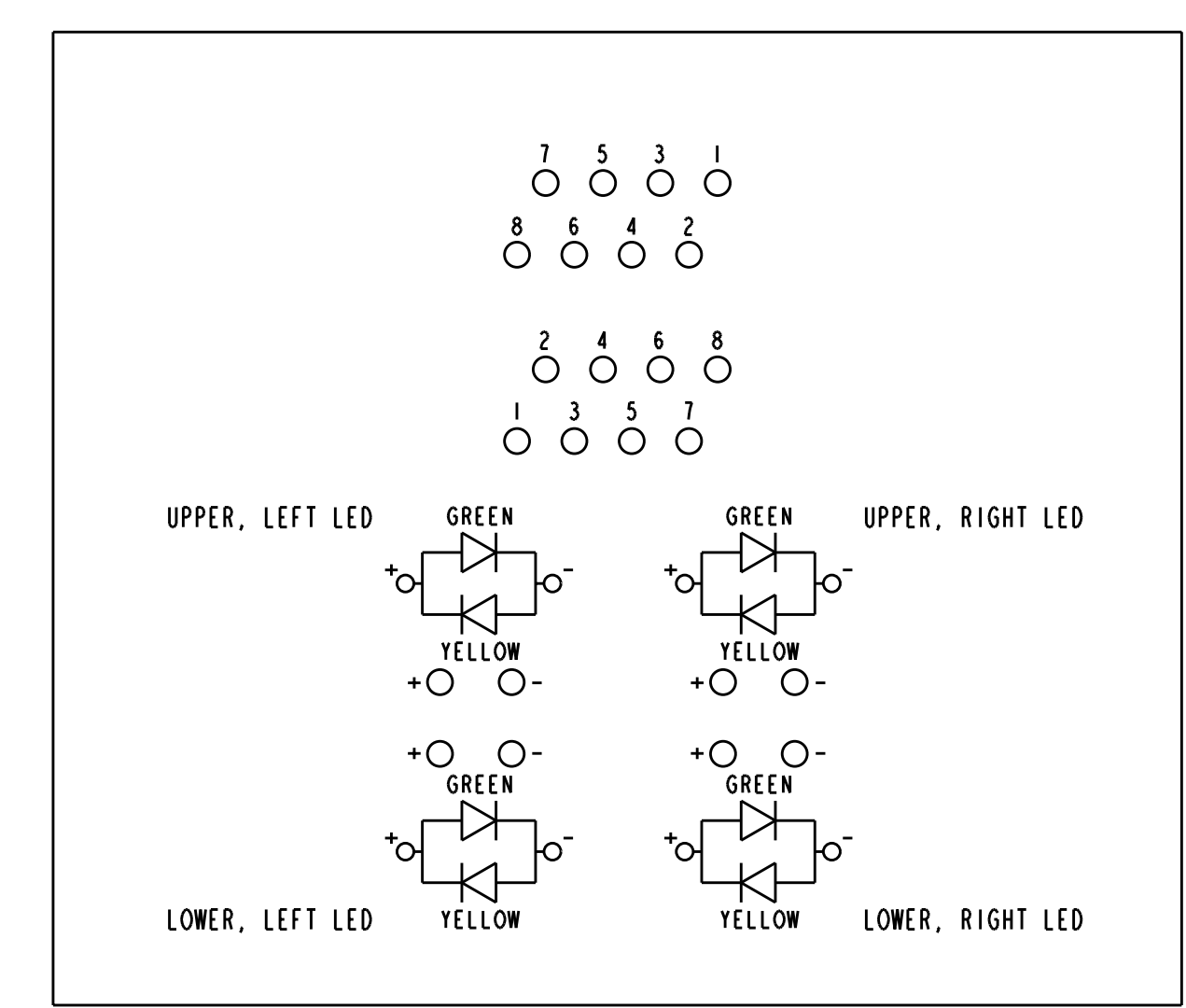
**ATCA PANEL AND PRINTED CIRCUIT BOARD LAYOUT**  
 SCALE 3:1



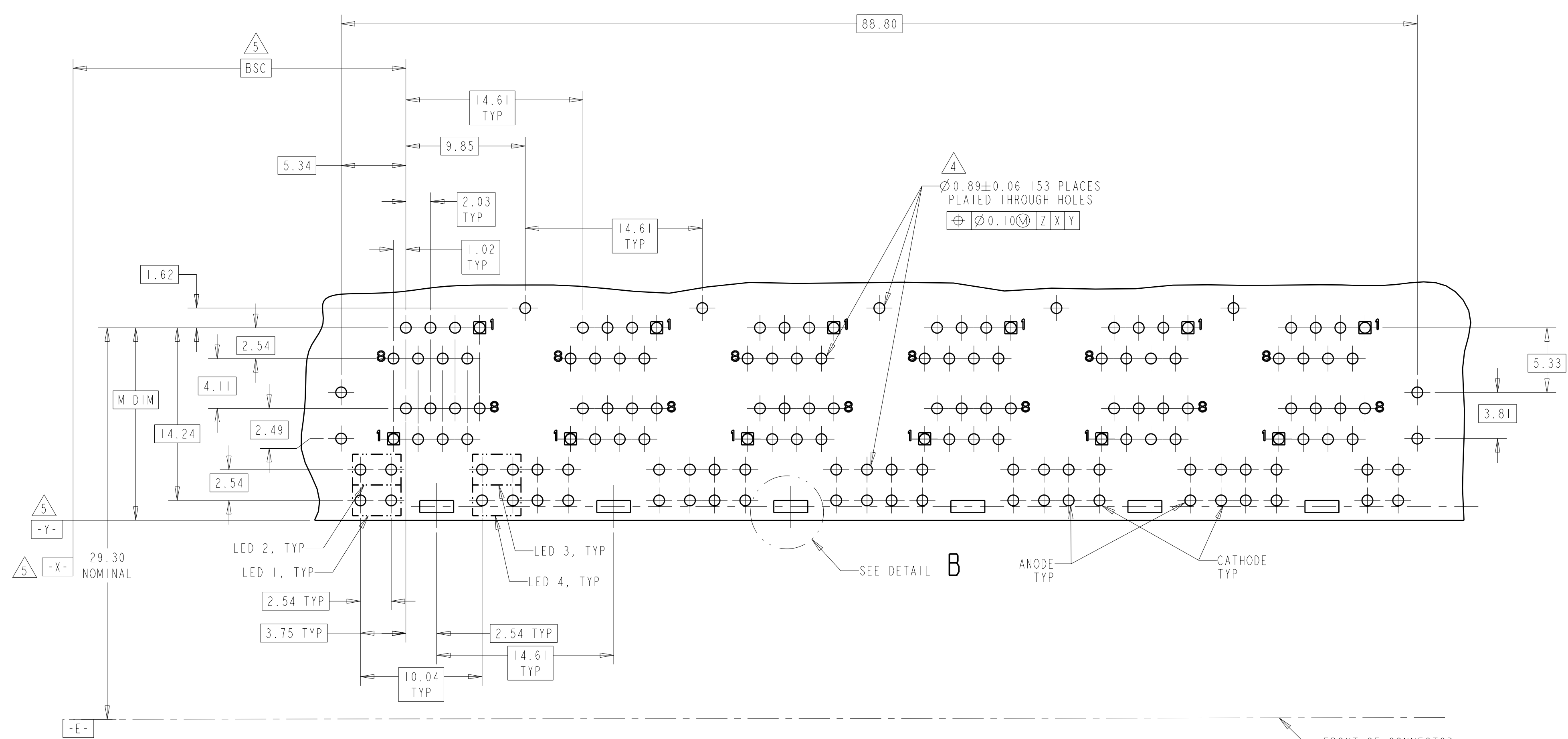
**AMC PANEL AND PRINTED CIRCUIT BOARD LAYOUT**  
 SCALE 3:1



**DETAIL B**  
 SCALE 12:1  
 PLATED PADS REQUIRED FOR 1888509-2 & -4 (PRODUCT WITH GROUNDING CLIPS)



**BI-COLOR LED SCHEMATIC FOR 1888509-4,5**  
 SCALE 4:1



**PC BOARD LAYOUT (COMPLIANT SIDE)**

DIMENSIONS: mm 		TOLERANCES UNLESS OTHERWISE SPECIFIED: 9 PLC ± 1 PLC ±0.13 5 PLC ± 4 PLC ± ANGLES ±1° FINISH SEE NOTE 1		DWN L.A.MAYER 28OCT2006 CHK J.WESTMAN 28OCT2006 APVD S.FLICKINGER 28OCT2006 PRODUCT SPEC 108-1854 APPLICATION SPEC 114-2160 WEIGHT - CUSTOMER DRAWING		Tyco Electronics Tyco Electronics Corporation Harrisburg, PA 17105-3608 NAME STACKED MOD JACK ASSEMBLY, 2 X 6, 8 POSN, W/LEDS, RJ45, SHIELDED, PANEL GROUND, OFFSET, CAT 5 SIZE CAGE CODE DRAWING NO RESTRICTED TO A1100779 C=1888509 SCALE 3:1 SHEET 2 OF 2 REV B2	
--------------------	--	---	--	---	--	---	--