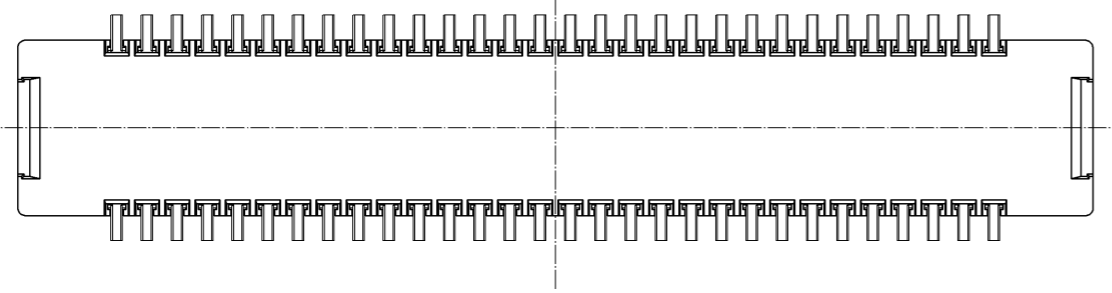
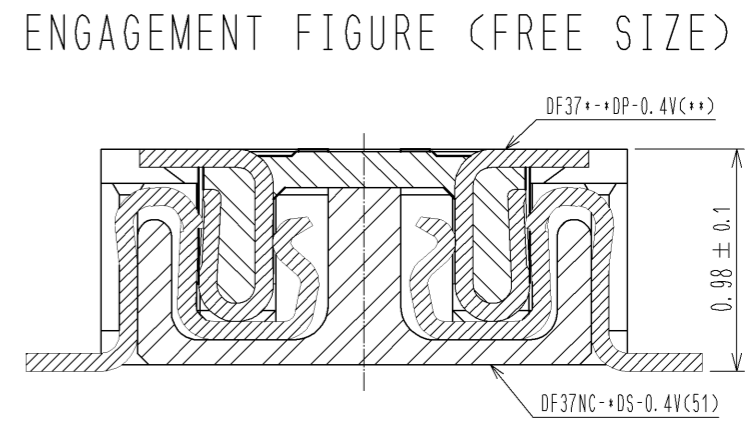
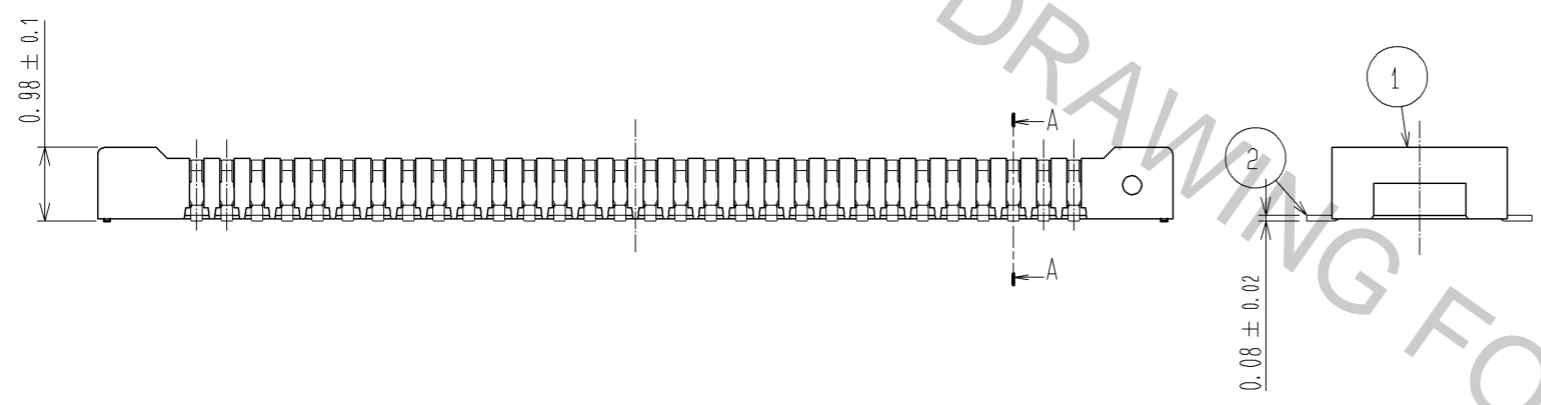
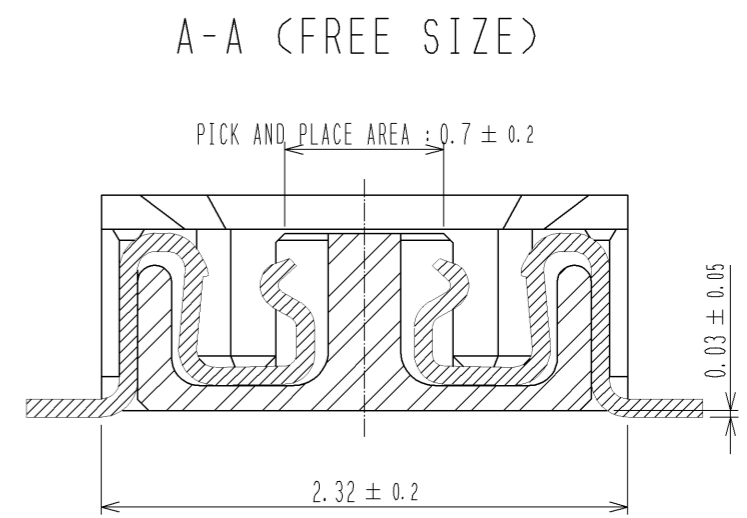
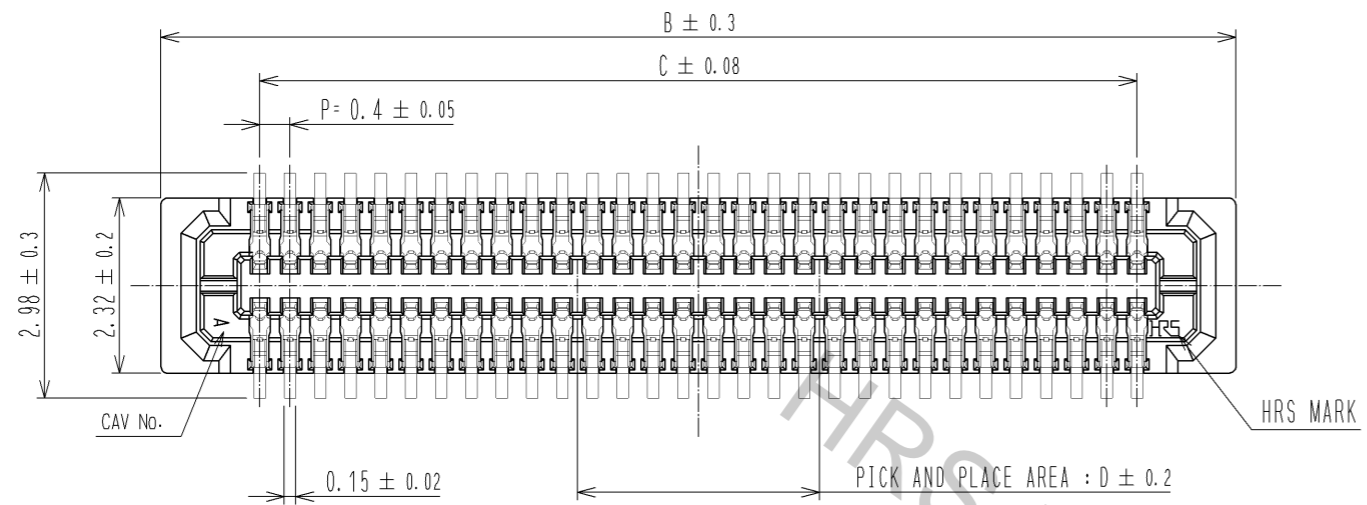


Apr.1.2017 Copyright 2017 HIROSE ELECTRIC CO., LTD. All Rights Reserved.

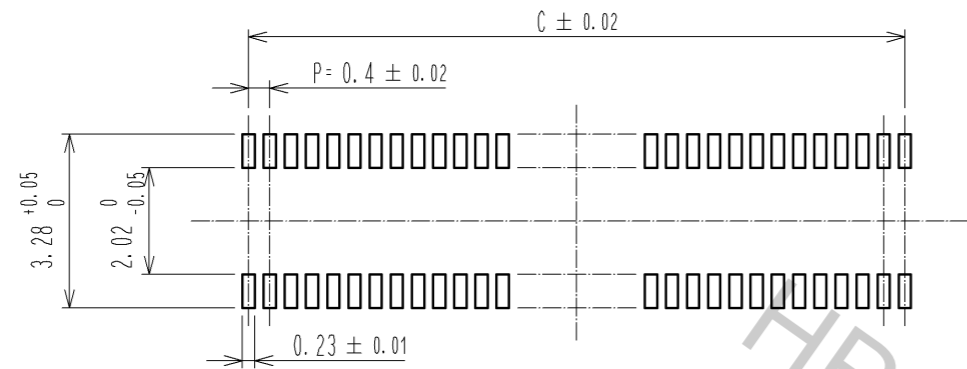


| PART No. | CL No. | B | C | D |
|------------------------|-----------------|-------|------|-----|
| DF37NC-10DS-0.4V(51) | CL684-3309-8-51 | 4.22 | 1.6 | 0.8 |
| DF37NC-16DS-0.4V(51) | CL684-3310-7-51 | 5.42 | 2.8 | 1.2 |
| DF37NC-20DS-0.4V(51) | CL684-3311-0-51 | 6.22 | 3.6 | 1.6 |
| DF37NC-24DS-0.4V(51) | CL684-3312-2-51 | 7.02 | 4.4 | 2.0 |
| DF37NC-30DS-0.4V(51) | CL684-3313-5-51 | 8.22 | 5.6 | 2.0 |
| △ DF37NC-34DS-0.4V(51) | CL684-3083-7-51 | 9.02 | 6.4 | 2.4 |
| △ DF37NC-40DS-0.4V(51) | CL684-3314-8-51 | 10.22 | 7.6 | 2.4 |
| △ DF37NC-44DS-0.4V(51) | CL684-3324-1-51 | 11.02 | 8.4 | 2.8 |
| DF37NC-50DS-0.4V(51) | CL684-3315-0-51 | 12.22 | 9.6 | 2.8 |
| DF37NC-60DS-0.4V(51) | CL684-3316-3-51 | 14.22 | 11.6 | 3.2 |
| △ DF37NC-70DS-0.4V(51) | CL684-3084-0-51 | 16.22 | 13.6 | 3.6 |
| △ DF37NC-74DS-0.4V(51) | CL684-3081-1-51 | 17.02 | 14.4 | 4.0 |

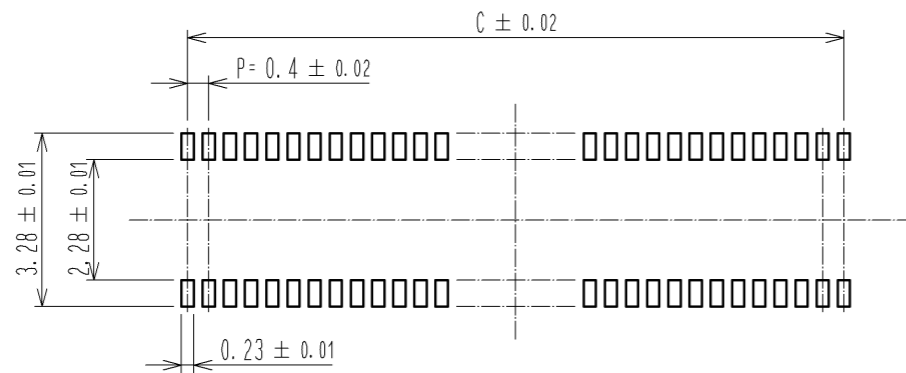
NOTE 1. ALL LEADS CO-PLANARITY SHALL BE 0.1 mm MAX.
 2 CONTACT PLATING SPECIFICATIONS.
 CONTACT AREA : GOLD 0.05 μm MIN
 SMT LEAD : GOLD 0.05 μm MIN
 UNDER PLATING : NICKEL 1 μm MIN
 (SURFACE : SEALING)

| 2 | PHOSPHOR BRONZE | 2 | 5 | PS | BLACK, PLASTIC REEL | | | | |
|------------------------|-----------------|-----------------|------|-------------|------------------------------|--------------------------|-----------|--------------|----------|
| 1 | LCP | BLACK, UL94V-0 | 4 | POLYESTER | CLEAR, COVER TAPE | | | | |
| | | | 3 | PS | CLEAR, EMBOSSED CARRIER TAPE | | | | |
| NO. | MATERIAL | FINISH, REMARKS | NO. | MATERIAL | FINISH, REMARKS | | | | |
| UNITS | mm | SCALE | FREE | COUNT | 12 | DESCRIPTION OF REVISIONS | DESIGNED | CHECKED | DATE |
| | | | | | | DIS-H-005512 | KR. AJITO | TS. MIYAZAKI | 11.02.09 |
| APPROVED : KH. IKEDA | | 09.06.30 | | DRAWING NO. | | EDC3-319684-01 | | | |
| CHECKED : TS. MIYAZAKI | | 09.06.30 | | PART NO. | | DF37NC-*DS-0.4V(51) | | | |
| DESIGNED : TR. YUNOKI | | 09.06.29 | | CODE NO. | | | | | |
| DRAWN : TR. YUNOKI | | 09.06.29 | | | | | | | |

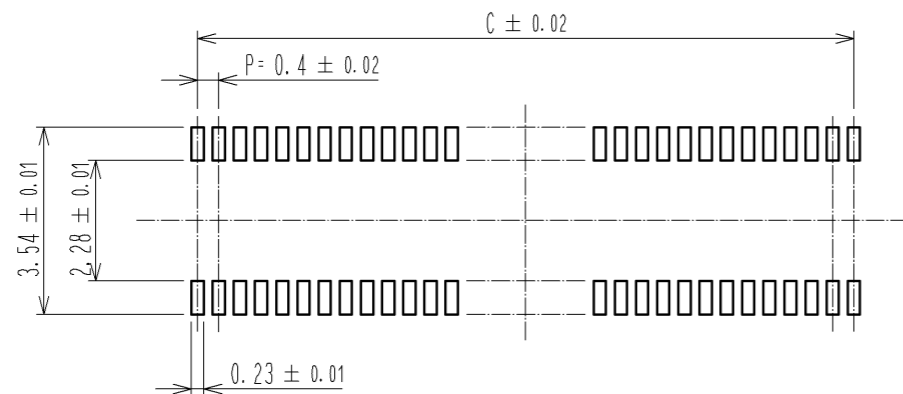
◆ RECOMMENDED PCB LAYOUT (MOUNTING SURFACE SIDE)



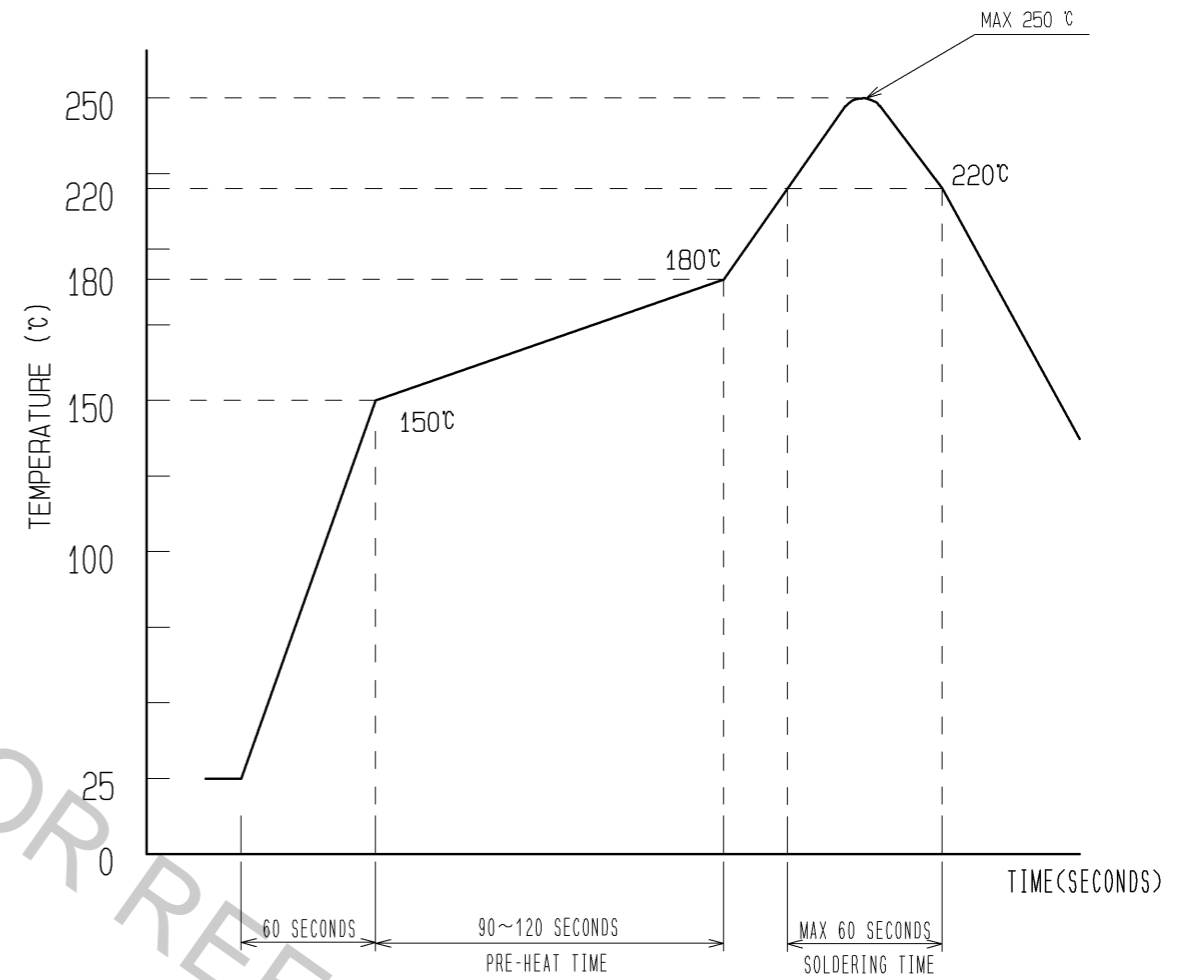
◆ RECOMMENDED METAL MASK DIMENSIONS
METAL MASK THICKNESS : 0.12mm



◆ RECOMMENDED METAL MASK DIMENSIONS
METAL MASK THICKNESS : 0.1mm



③ RECOMMENDED REFLOW TEMPERATURE PROFILE USING LEAD-FREE SOLDER PASTE.



- 1) REFLOW TIME
REFLOW METHOD: IR REFLOW
NUMBER OF REFLOW CYCLES: 2 CYCLES MAX.
DURATION ABOVE 220 °C: 60 SEC. MAX.
(PEAK TEMPERATURE: 250°C MAX.)
- 2) PRE-HEAT TIME
PRE-HEAT TEMPERATURE(MIN) : 150 °C
PRE-HEAT TEMPERATURE(MAX) : 180 °C
PRE-HEAT TIME : 90~120 sec.

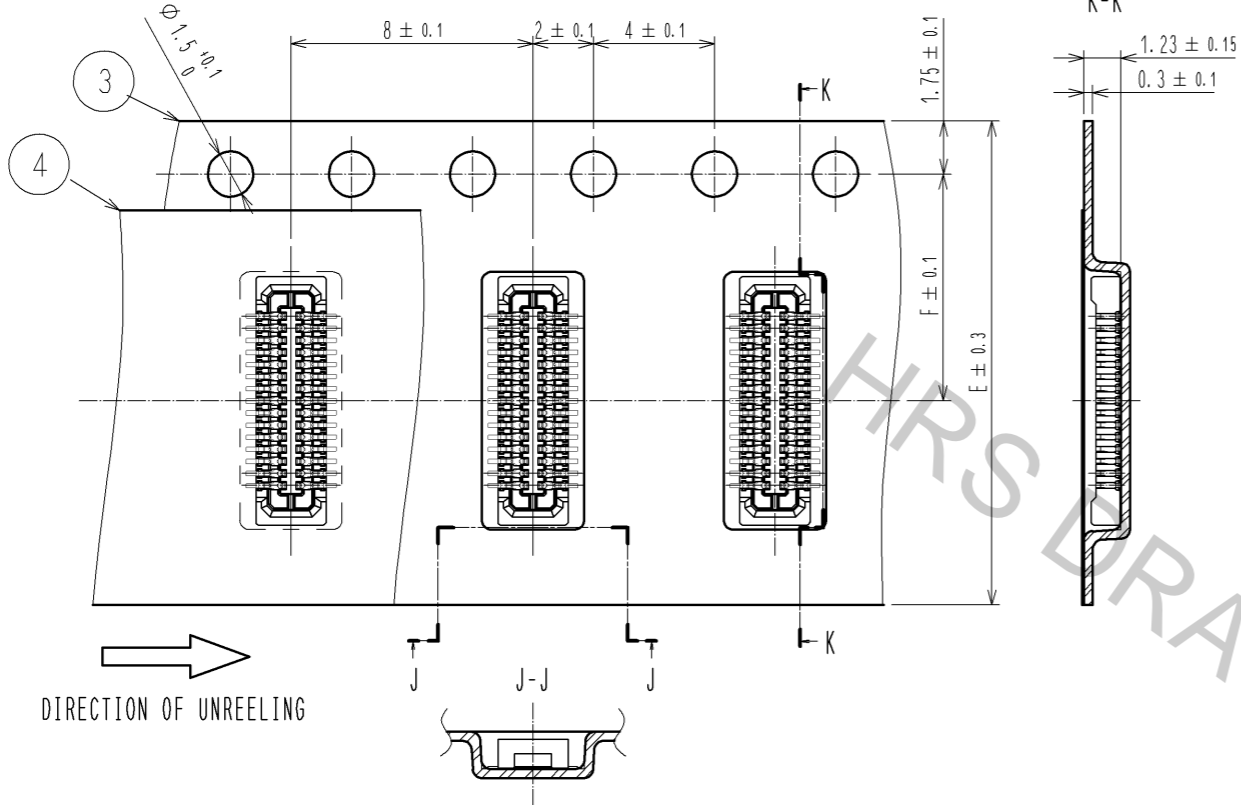
| PART No. | C |
|----------------------|------|
| DF37NC-10DS-0.4V(51) | 1.6 |
| DF37NC-16DS-0.4V(51) | 2.8 |
| DF37NC-20DS-0.4V(51) | 3.6 |
| DF37NC-24DS-0.4V(51) | 4.4 |
| DF37NC-30DS-0.4V(51) | 5.6 |
| DF37NC-34DS-0.4V(51) | 6.4 |
| DF37NC-40DS-0.4V(51) | 7.6 |
| DF37NC-44DS-0.4V(51) | 8.4 |
| DF37NC-50DS-0.4V(51) | 9.6 |
| DF37NC-60DS-0.4V(51) | 11.6 |
| DF37NC-70DS-0.4V(51) | 13.6 |
| DF37NC-74DS-0.4V(51) | 14.4 |

③ THIS TEMPERATURE PROFILE IS PER THE CONDITIONS SHOWN ABOVE. ADDITIONAL FACTORS, SUCH AS SOLDER PASTE TYPE, PCB SIZE AND OTHER MOUNTED COMPONENTS COULD AFFECT THE PROFILE. THEREFORE, A THOROUGH EVALUATION OF MOUNTING CONDITION IS REQUIRED PRIOR TO PRODUCTION. TEMPERATURE IS MEASURED AT CONTACT LEAD.

| | | |
|------------|-------------|---------------------|
| HRS | DRAWING NO. | EDC3-319684-01 |
| | PART NO. | DF37NC-*DS-0.4V(51) |
| | CODE NO. | |

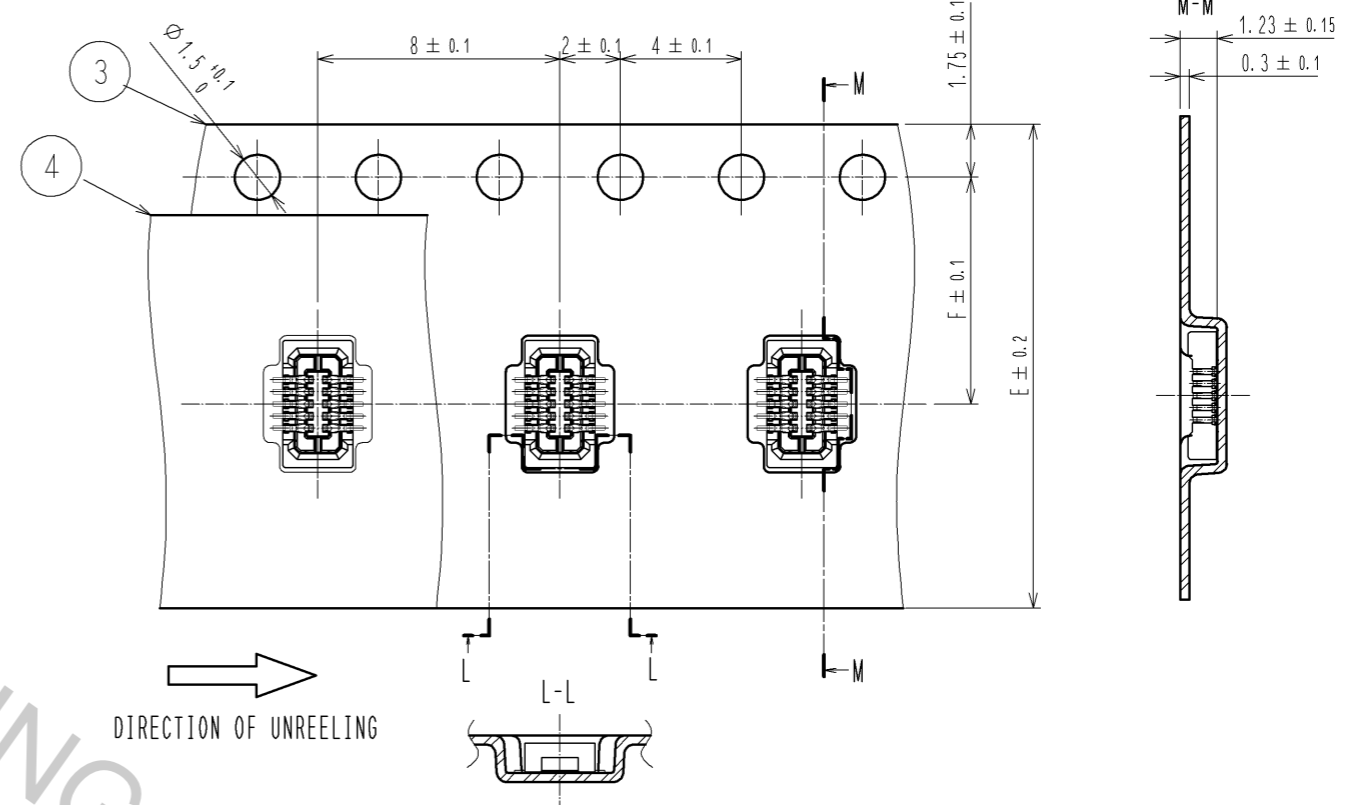
EMBOSSED CARRIER TAPE PACKAGING (FREE SIZE)

◆MORE THAN 20 POS.

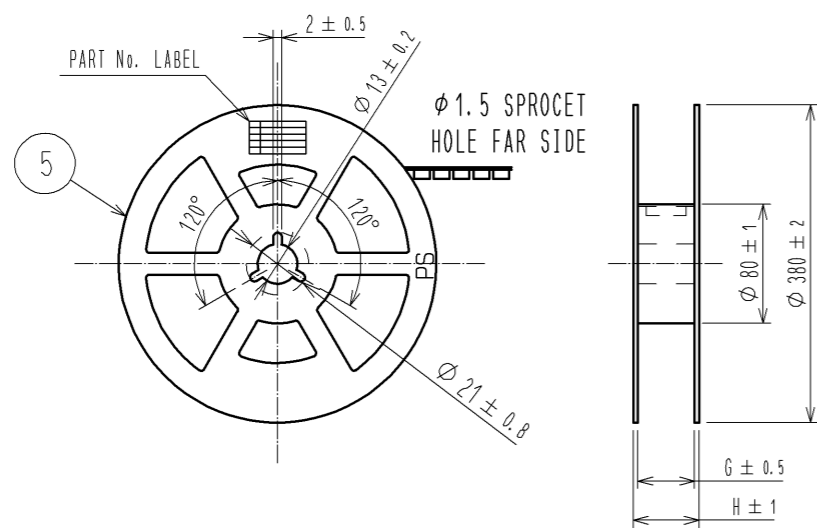


EMBOSSED CARRIER TAPE PACKAGING (FREE SIZE)

◆LESS THAN 20 POS.



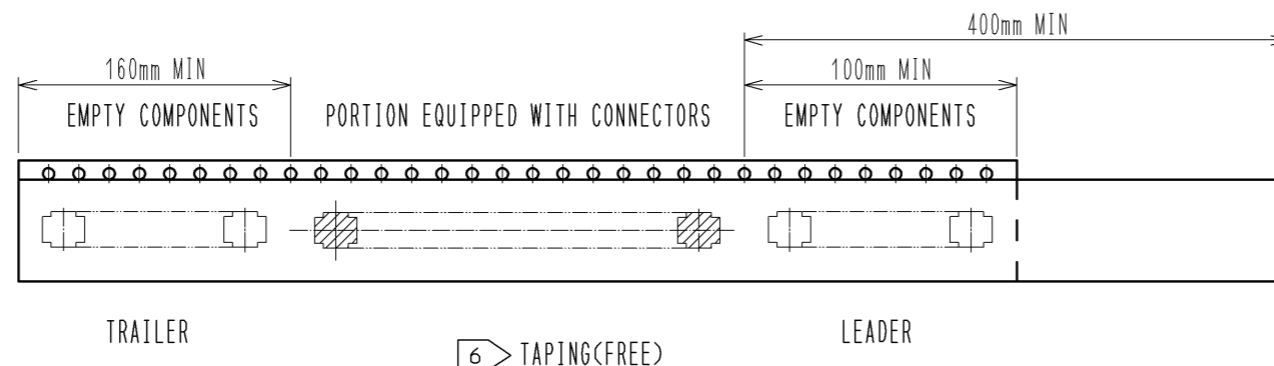
STYLE AND DIMENSION OF REEL (FREE SIZE)



7 DETAIL OF PART No. LABEL

| | |
|----------------------|---------------------------|
| SUPPLIER | HIROSE ELECTRIC CO., LTD. |
| QUANTITY | 8000個 |
| PART NO. | DF37NC-DS-0.4V(51) |
| CODE NO. | ** ** * |
| DATE OF MANUFACTURED | 年月日 |
| 製造年月日 | 年月日 |
| 製品コード | ** ** * |
| 製品名 | DF37NC-DS-0.4V(51) |
| 数量 | 8000個 |
| 納入者 | ヒロセ電機(株) |

| PART No. | E | F | G | H |
|----------------------|----|------|------|------|
| DF37NC-10DS-0.4V(51) | 16 | 7.5 | 17.5 | 21.5 |
| DF37NC-16DS-0.4V(51) | 16 | 7.5 | 17.5 | 21.5 |
| DF37NC-20DS-0.4V(51) | 16 | 7.5 | 17.5 | 21.5 |
| DF37NC-24DS-0.4V(51) | 16 | 7.5 | 17.5 | 21.5 |
| DF37NC-30DS-0.4V(51) | 24 | 11.5 | 25.5 | 29.5 |
| DF37NC-34DS-0.4V(51) | 24 | 11.5 | 25.5 | 29.5 |
| DF37NC-40DS-0.4V(51) | 24 | 11.5 | 25.5 | 29.5 |
| DF37NC-44DS-0.4V(51) | 24 | 11.5 | 25.5 | 29.5 |
| DF37NC-50DS-0.4V(51) | 24 | 11.5 | 25.5 | 29.5 |
| DF37NC-60DS-0.4V(51) | 24 | 11.5 | 25.5 | 29.5 |
| DF37NC-70DS-0.4V(51) | 32 | 14.2 | 33.5 | 37.5 |
| DF37NC-74DS-0.4V(51) | 32 | 14.2 | 33.5 | 37.5 |



- NOTES 4. PER REEL 8000 CONNECTORS.
 5. THE DIMENSIONS IN PARENTHESES ARE FOR REFERENCE.
 6 REFER TO JIS C 0806(PACKING OF COMPONENTS FOR AUTOMATIC HANDLING)
 7 DETAIL OF PART No. LABEL IS WRITTEN IN JAPANESE.

| | | |
|------------|-------------|--------------------|
| HRS | DRAWING NO. | EDC3-319684-01 |
| | PART NO. | DF37NC-DS-0.4V(51) |
| | CODE NO. | |